

# Art. 8P0036 - 8P0038

(Art. 720120 - 720121)



Valvola Valpres Art. 720001

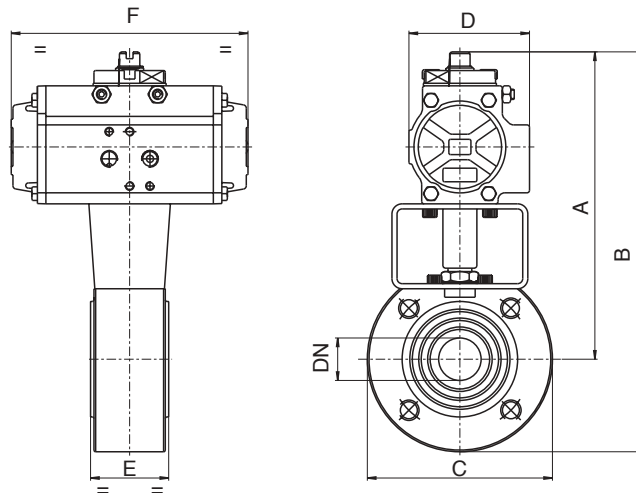
VALVOLA CON ATTUATORE DOPPIO EFFETTO  
VALVE WITH DOUBLE ACTING ACTUATOR

DN	15	20	25	32	40	50	65	80	100	125	150	200
PN	16	16	16	16	16	16	16	16	16	16	16	16
A	147	176	181	188	214	239	265	276	324	377	414	492
B	192	226	236	253	284	314	353	371	434	502	564	662
C	90	100	110	130	140	150	175	190	220	250	300	340
D	45	71	71	71	81	95	106	106	123	137	148	187
E	35	40	46	54	64	82	103	122	152	196	232	317
F	110	140	140	140	162	207	238	238	272	328	366	522
ACT.	32	52	52	52	63	75	85	85	100	115	125	160

Art. 8P0036

Valvola a sfera 2 vie, flangiata tipo "WAFER", acciaio al carbonio ASTM A105, con sfera in ottone cromato e asta inox AISI 304, con attuatore.

2 way "WAFER" ball valve, flanged, carbon steel ASTM A105, with chrome plated ball and stem in stainless steel AISI 304, with actuator.



VALVOLA CON ATTUATORE SEMPLICE EFFETTO  
VALVE WITH SPRING RETURN ACTUATOR

Art. 8P0038

DN	15	20	25	32	40	50	65	80	100	125	150	200
PN	16	16	16	16	16	16	16	16	16	16	16	16
A	171	187	192	199	242	264	328	351	366	423	499	543
B	216	237	247	264	312	339	416	446	476	548	649	713
C	90	100	110	130	140	150	175	190	220	250	300	340
D	71	81	81	81	106	123	137	148	148	187	218	218
E	35	40	46	54	64	82	103	122	152	196	232	317
F	140	162	162	162	238	272	328	366	366	522	575	575
ACT.	52	63	63	63	85	100	115	125	125	160	200	200