

Art. 8P0079 - 8P0081

(Art. 700045 - 700046)

Art. 8P0080 NPT - 8P0082 NPT

(Art. 700050 - 700051)



Valvola RB Art. 2500 - 250N NPT

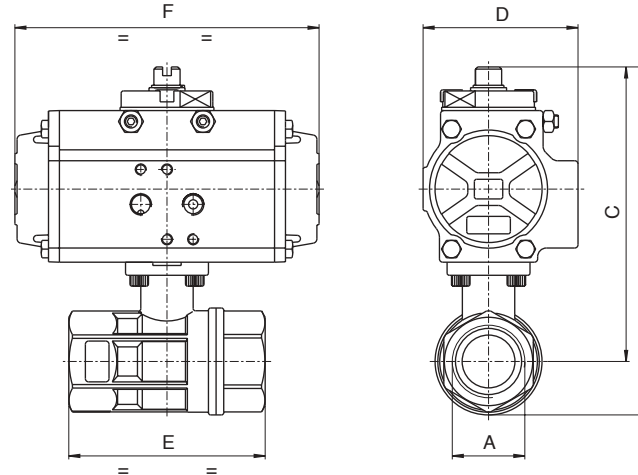
VALVOLA CON ATTUATORE DOPPIO EFFETTO
VALVE WITH DOUBLE ACTING ACTUATOR

Art. 8P0079
Art. 8P0080 NPT

DN/ PN	08 40	10 40	15 40	20 40	25 40	32 40	40 40	50 40	65 40	80 40	100 40
A	1/4"	3/8"	1/2"	3/4"	1"	1" 1/4	1" 1/2	2"	2" 1/2	3"	4"
B	115	115	115	120	135	144	190	209	244	266	331
C	98	98	98	100	111	114	154	163	188	199	248
D	45	45	45	45	45	45	71	71	81	81	106
E	67	67	67	76	90	102	114	138	157	188	225
F	110	110	110	110	110	110	140	140	162	162	238
ACT.	32	32	32	32	32	32	52	52	63	63	85

Valvola a sfera 2 vie in ottone cromato con guarnizioni PTFE+VITON, filettata F/F, PN40, con attuatore.

2 way brass with chrome plated ball, seals in PTFE+VITON, threaded F/F, PN40, with actuator.



VALVOLA CON ATTUATORE SEMPLICE EFFETTO
VALVE WITH SPRING RETURN ACTUATOR

Art. 8P0081
Art. 8P0082 NPT

DN/ PN	08 40	10 40	15 40	20 40	25 40	32 40	40 40	50 40	65 40	80 40	100 40
A	1/4"	3/8"	1/2"	3/4"	1"	1" 1/4	1" 1/2	2"	2" 1/2	3"	4"
B	140	140	140	142	160	168	201	220	272	294	344
C	123	123	123	125	135	139	165	174	216	227	261
D	71	71	71	71	71	71	81	81	106	106	123
E	67	67	67	76	90	102	114	138	157	188	225
F	140	140	140	140	140	140	162	162	238	238	272
ACT.	52	52	52	52	52	52	63	63	85	85	100