

Art. 8P0063 (T) - 8P0067 (T)

(Art. 770011 - 770018)

Art. 8P0064 (L) - 8P0068 (L)

(Art. 770012 - 770019)

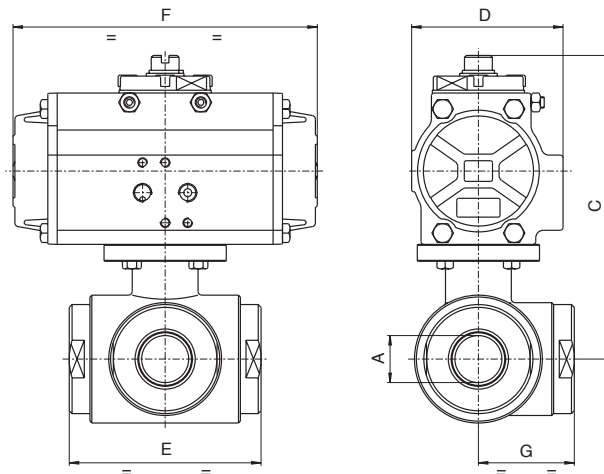


VALVOLA CON ATTUATORE DOPPIO EFFETTO
VALVE WITH DOUBLE ACTING ACTUATOR

Art. 8P0063 T
Art. 8P0064 L

DN / PN	12 / 40	12 / 40	15 / 40	20 / 40	25 / 40	32 / 40	40 / 40	50 / 25	65 / 25	80 / 16	100 / 16
A	1/4"	3/8"	1/2"	3/4"	1"	1" 1/4	1" 1/2	2"	2" 1/2	3"	4"
C	136	136	139	157	162	182	206	220	230	258	273
D	71	71	71	81	81	81	95	106	106	123	123
E	72	72	82	92	102	118	134	144	160	200	240
F	140	140	140	162	162	162	207	238	238	272	272
G	36	36	41	46	51	59	67	72	80	100	120
ACT.	52	52	52	63	63	63	75	85	85	100	100

Valvola a sfera ricavata da massello, 3 vie, lucida, acciaio inox AISI 316, filettata F/F/F, passaggio TOTALE, a sfera forata a "T" o "L", con attuatore
3 way polished ball valve, from *ingot*, stainless steel AISI 316, threaded F/F/F, FULL bore, "T" or "L" port, with actuator.



VALVOLA CON ATTUATORE SEMPLICE EFFETTO
VALVE WITH SPRING RETURN ACTUATOR

Art. 8P0067 T
Art. 8P0068 L

DN / PN	12 / 40	12 / 40	15 / 40	20 / 40	25 / 40	32 / 40	40 / 40	50 / 25	65 / 25	80 / 16	100 / 16
A	1/4"	3/8"	1/2"	3/4"	1"	1" 1/4	1" 1/2	2"	2" 1/2	3"	4"
C	197	197	200	185	190	210	231	233	273	300	315
D	81	81	81	106	106	106	123	123	137	148	148
E	72	72	82	92	102	118	134	144	160	200	240
F	162	162	162	238	238	238	272	272	328	366	366
G	36	36	41	46	51	59	67	72	80	100	120
ACT.	63	63	63	85	85	85	100	100	115	125	125