

Art. 8P0083 (T) - 8P0085 (T)

(Art. 770032 - 770033)

Art. 8P0084 (L) - 8P0086 (L)

(Art. 770030 - 770031)



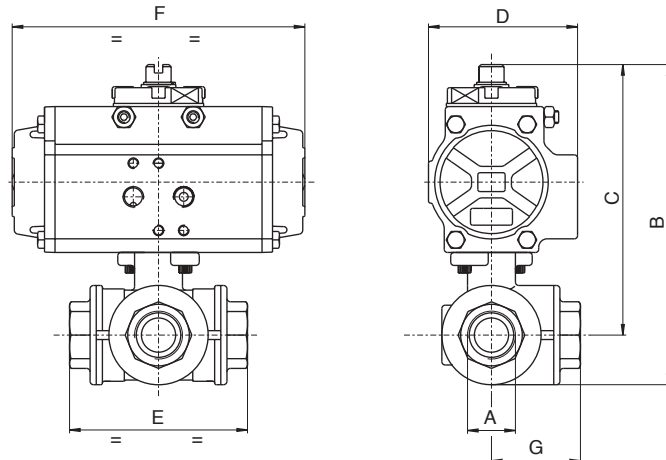
Valvola RB Art. 3500 (T) - 3600 (L)

VALVOLA CON ATTUATORE DOPPIO EFFETTO
VALVE WITH DOUBLE ACTING ACTUATOR

Art. 8P0083 T
Art. 8P0084 L

DN	08	10	15	20	25	32	40	50
PN	30	30	30	30	16	10	10	10
A	1/4"	3/8"	1/2"	3/4"	1"	1 1/4"	1 1/2"	2"
B	113	113	118	155	167	185	218	258
C	96	96	98	131	137	149	175	202
D	45	45	45	71	71	71	81	95
E	67	67	77	87	105	123	139	166
F	110	110	110	140	140	140	162	207
G	34	34	39	44	53	62	70	83
ACT.	32	32	32	52	52	52	63	75

Valvola a sfera 3 vie, in ottone CW 617N con guarnizioni PTFE+VITON, filettata F/F/F, passaggio TOTALE, sfera forata a "T" o "L", con attuatore.
3 way brass ball valve CW 617N, seals in PTFE+VITON, threaded F/F/F, FULL bore, "T" or "L" port, with actuator.



VALVOLA CON ATTUATORE SEMPLICE EFFETTO
VALVE WITH SPRING RETURN ACTUATOR

Art. 8P0085 T
Art. 8P0086 L

DN	8	10	15	20	25	32	40	50
PN	30	30	30	30	16	10	10	10
A	1/4"	3/8"	1/2"	3/4"	1"	1 1/4"	1 1/2"	2"
B	137	137	142	166	178	196	246	282
C	120	120	123	142	148	160	203	227
D	71	71	71	81	81	81	106	123
E	67	67	77	87	105	123	139	166
F	140	140	140	162	162	162	238	272
G	34	34	39	44	53	62	70	83
ACT.	52	52	52	63	63	63	85	100