

Art. 8P0093 (L) - 8P0095 (L)

(Art. 907000 - 907001)

Art. 8P0094 (T) - 8P0096 (T)

(Art. 907100 - 907101)



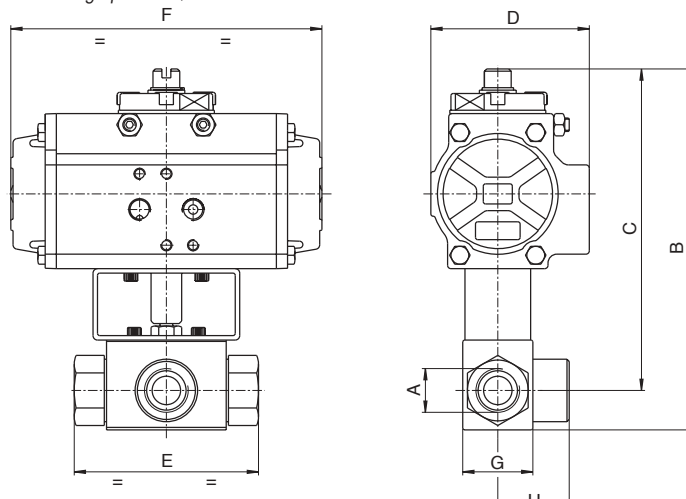
VALVOLA CON ATTUATORE DOPPIO EFFETTO
VALVE WITH DOUBLE ACTING ACTUATOR

Art. 8P0093 L
Art. 8P0094 T

DN	10	13	20	25	25/32
	PN 315	315	315	315	315
A	3/8"	1/2"	3/4"	1"	1 1/4"
B	168	181	214	222	247
C	150	162	190	193	217
D	71	81	95	95	123
E	72	83	95	113	120
F	140	162	207	207	272
G	32	35	49	58	58
H	36	42	48	57	60
ACT.	52	63	75	75	100

Valvola a sfera 3 vie, in CF9SMn28, con sfera forata a "L" o "T", solo deviatrice, filettata F/F/F, per alta pressione, con attuatore.

3 way ball valve in CF9SMn28, "L" or "T" port, only diverting, F/F/F threaded, for high pressure, with actuator.



VALVOLA CON ATTUATORE SEMPLICE EFFETTO
VALVE WITH SPRING RETURN ACTUATOR

Art. 8P0095 L
Art. 8P0096 T

DN	10	13	20	25	25/32
	PN 315	315	315	315	315
A	3/8"	1/2"	3/4"	1"	1 1/4"
B	195	197	239	247	277
C	178	178	214	217	247
D	95	95	123	123	137
E	72	83	95	113	120
F	207	207	272	272	328
G	32	35	49	58	58
H	36	42	48	57	60
ACT.	75	75	100	100	115